

Demolition Attachments



Crusher

SMC Series
Multi - Crushers

Processor

SUP Series
Multi - processors

Demolition
Crab

SRG Series
Demolition grabs

Mini Crusher

Mini - Series
Mini - Crushers

Pulverizers

Posher Series
Pulverizers

Multi - Crushers ; SMC Series



Features ;

- **2 types of functional jaws : RG, RD**
 - RG : universal jaws for concrete and rebar
 - RD : double acting jaws with longer blades
=> for secondary reduction and cutting steel girders
- **Speed-up valve** => short cycle times
- **Hydraulic 360° rotation**
- **Bolt-on teeth & blades** => easy replacement
- **Cylinder rod protection**
- **Double Hydraulic cylinders**
- **FEM-optimized robust structure** => body and jaws



Applications ;

- **Building demolition** : light to medium reinforced concrete
- **Industrial demolition** : heavily reinforced concrete elements
- **Cutting steel structures (RD Jaws)**
- **Recycling** : Secondary reduction & material separation

Specifications		unit	SMC 250		SMC 300	
			RG	RD	RG	RD
Weight, excl. Top Cap		kg	1750	1800	2450	2500
Height, at open		mm	1940	1940	2150	2150
Max. Jaw Open		mm	800	790	880	870
Blade Length		mm	180	180x2	180	180x2
Crushing force, outer tooth		ton	70	70	80	80
Cutting force, blade center		ton	225	200	275	235
Jaw speed	Close	sec	2.96		2.79	
	Open	sec	3.03		3.46	
Cylinder	Pressure	bar	320		320	
	Oil flow	lpm	100~150		150~200	
	Output	ton	100		133	
Rotation		degree	Hyd. 360° continuous			
Applicable Excavator		ton	17~25		25~32	

Multi - Processors ; SUP Series



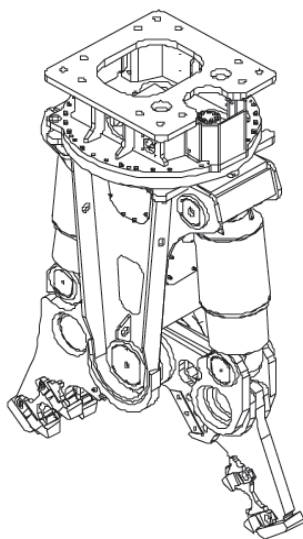
Features ;

- **3 types of functional jaws : RC, RP, RS**
 - RC : crushing jaws for concrete and rebar
 - RP : pulverizing jaw => secondary reduction
 - RS : shearing jaw => reduction of metal structures
- **Speed-up valve** => short cycle times
- **Hydraulic 360° rotation**
- **Bolt-on teeth & blades** => easy replacement
- **Cylinder rod protection**
- **Double Hydraulic cylinders**
- **FEM-optimized robust structure** => body and jaws

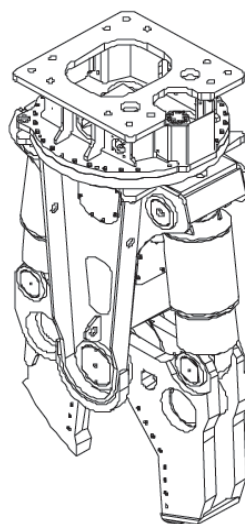


Applications ;

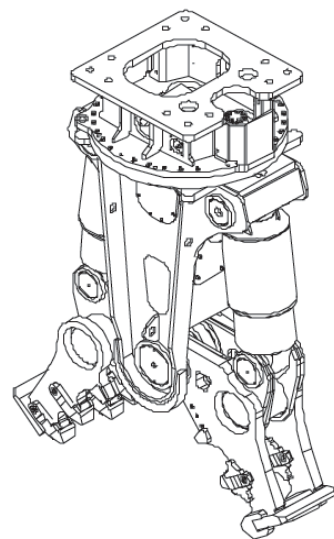
- **Building demolition** : light to medium reinforced concrete
- **Industrial demolition** : heavily reinforced concrete elements
- **Recycling** : Secondary reduction & material separation
- **Cutting & Reduction of metal structures** : RS jaws



RC - jaws



RS - jaws



RP - jaws

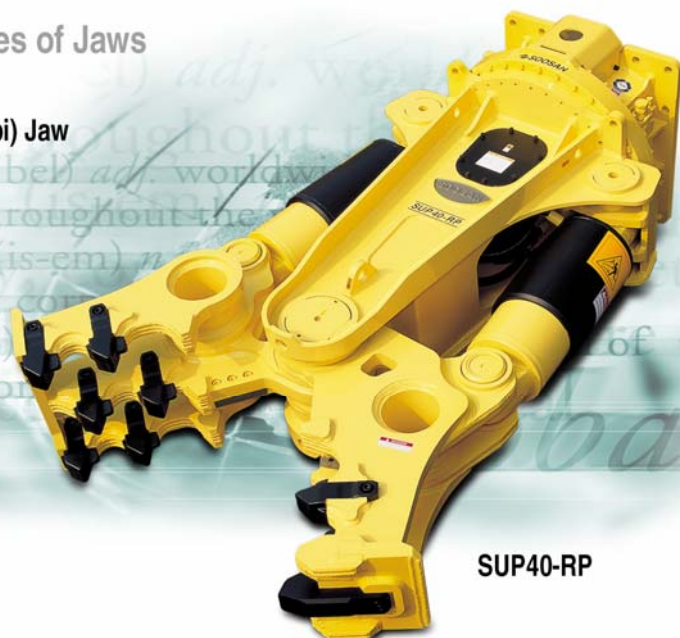
Multi - Processors ; SUP Series

Specifications		unit	SUP25		SUP30			SUP40		
			RC	RS	RC	RP	RS	RC	RP	RS
Weight, excl. Top Cap		kg	1850	1900	2540	2810	2640	4000	4250	4050
Height, at open		mm	1998	1900	2370	2390	2470	2700	2700	2775
Max. Jaw Open		mm	830	480	1045	970	610	1250	1170	695
Blade Length		mm	220	220x2	260	200	260x2	260	260	320x2
Crushing force, outer tooth		ton	70	90	81	81	100	130	130	148
Cutting force, blade center		ton	225	180	225	250	225	368	368	233
Jaw speed	Close	sec	3.0		4.07			3.3		
	Open	sec	3.0		3.84			3.6		
Cylinder	Pressure	bar	320		320			350		
	Oil flow	lpm	150~250		150~250			240~350		
	Output	ton	101		133			186		
Rotation		degree	Hydraulic 360° continuous							
Applicable Excavator		ton	18~26		28~35			35~50		

SOOSAN Multi-Processors

Available on 4 types of Jaws

- RC : Crushing Jaw
- RD : Demolition(Combi) Jaw
- RP : Puverizing Jaw
- RS : Shearing Jaw



SUP40-RP

Demolition Grabs ; SRG Series



Features ;

- Hydraulic 360° rotation
- Double hydraulic cylinders => high closing force
- Robust protection of cylinders and components
=> bottom plate is made of Hardox 500
- Bolt-on and reversible blades => Hardox 500
- FEM-optimized robust structure => wear parts and stress points of frame & jaws are made of Hardox 400 & 500.

Applications ;



- Demolition => masonry, wooden structures
- Sorting & Loading

Specification		unit	SRG100	SRG200	SRG250	SRG400
Weight, excl. Top Cap		kg	750	1100	1220	1800
Height, at open		mm	1100	1284	1290	1531
Width		mm	910	1040	1080	1350
Max. Jaw Open		mm	1750	2040	2140	2366
She;; volume		mm	380	500	650	950
Crushing force, at blades		ton	3.5	5	6	7
Cylinder	Pressure	bar	300	320	320	320
	Oil flow	lpm	40~80	60~100	60~100	100~180
Rotation		degree	Hyd. 360° continuous			
Applicable Excavator		ton	8~15	10~18	13~19	24~35

Mini - Crushers ; SMC Series



Features ;

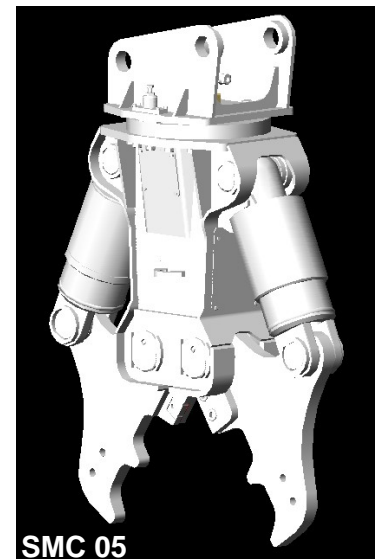
- Mechanical 360° rotation
- Speed-up valve => short cycle times
- Double hydraulic cylinders => SMC05
- Cylinder protector
- FEM-optimized robust structure



Applications ;

- Interior renovation
- Light demolition works

Specifications		unit	SMC 02M	SMC 03		SMC 05
				MC	MS	MC
Weight, incl. Top Cap		kg	235	322	318	530
Height, incl. Top cap		mm	1087	1204	1204	1357
Max. Jaw Open		mm	711	433	433	596
Blade Length		mm	90	90	120	120
Crushing force, outer tip		ton	25.6	33.8	33.8	31.5
Cutting force, blade center		ton	73	76	76	105
Cylinder	Pressure	bar	210	250	250	250
	Oil flow	lpm	70	20~90	20~90	45~100
	Output	ton	32.3	38.5	39.5	50.3
Rotation		degree	Mechanical 360° continuous			
Applicable Excavator		ton	1.5~3	2.5~4.5	4.5~8	



Pulverizers ; Posher Series



Features ;

- **Speed-up valve** => short cycle times
- **Replaceable jaw pad** => easy to replace
- **Wide jaw** => high productivity
- **Trunnion type cylinder** => optimal power curve, and shorter body length
- **Cylinder rod protection**
- **Water jet system** => for dust suppression
- **FEM-optimized robust structure**

Applications ;



- **Separation of concrete and rebar**
- **Secondary reduction**
- **Building demolition** : lightly reinforced concrete

Specifications		unit	Posher 200	Posher 300
Weight, without Top Cap		kg	1850	2630
Length, Jaw open		mm	1920	2254
Jaw width		mm	540	580
Max. Jaw open		mm	855	1004
Blade length		mm	2220	220
Max. crushing, at tip end		ton	70	88
Max. cutting, at blade centertip end		ton	250	267
Cylinder	Pressure	bar	320	320
	Oil flow	lpm	180 ~ 250	200 ~ 300
Jaw speed	Open	sec	2.0	2.3
	Close	sec	2.5	2.7
Applicable Excavator		ton	18 ~ 25	25 ~ 36